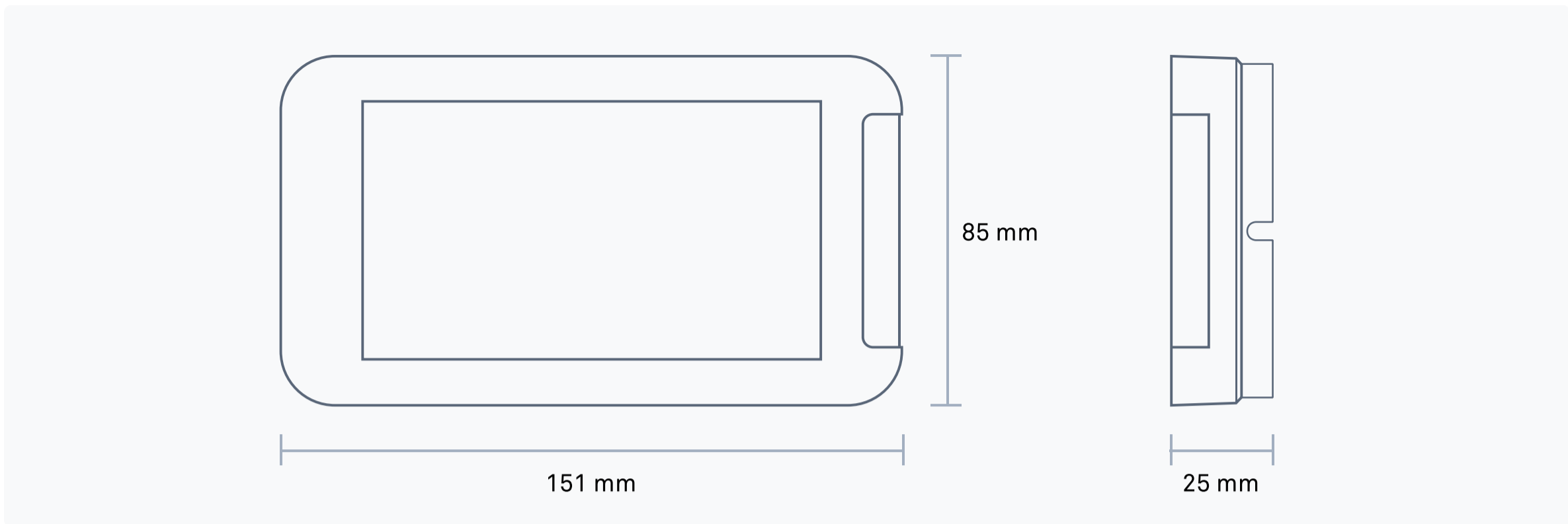


Specifications

# enforePayPad





**Processors**

Android Application Processor  
 Separate High Security Processor

**5" Customer Display**

LED-backlit display with IPS technology  
 1280 x 720 native resolution  
 Capacitive touchscreen with grease-resistant coating

**Barcode scanner**

Identifies loyalty cards, vouchers and coupons

**Payment functionality**

NFC Contactless (through the display)  
 Smart card reader

**Certifications**

EMVCo L1 & L2, MasterCard, Visa, Amex, PCI PTS 6.x

**Connections**

1 x USB-C connector

**Mounting options**

enforePayPad Mount  
 Standard 75mm VESA mount

**Scope of delivery**

enforePayPad  
 enforePayPad Mount made of aluminium  
 1.2m USB-A to USB-C data and power cable